



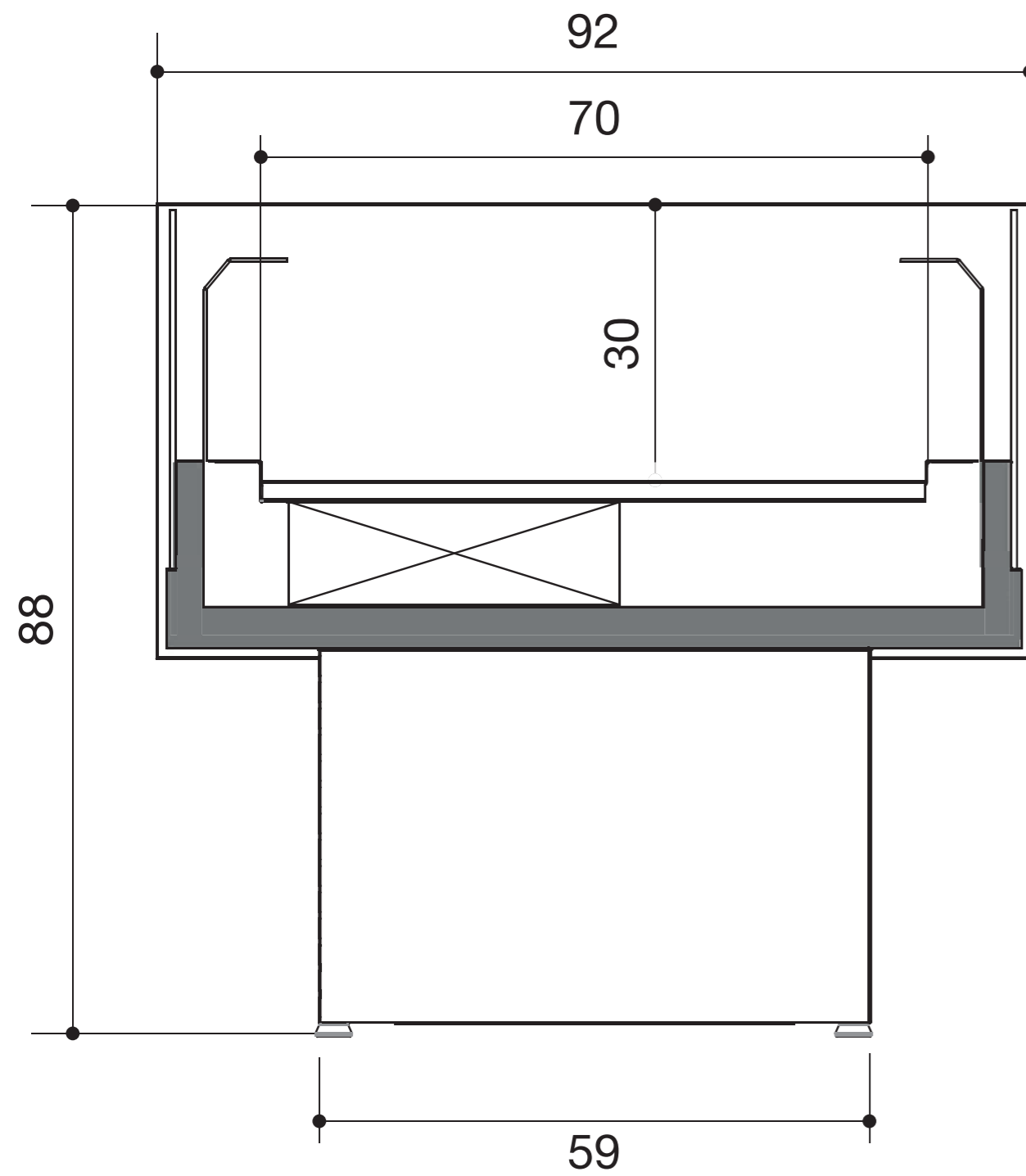
MOD : BN150/V-B5/T2

Production code : FL150PSVND97H_1

02/2024



BOSTON LINE



MODELLO	LUNG. LENGTH LAENGE LONGUEUR	MOTORE COMPRESSOR KOMPRESSOR COMPRESSEUR	ILLUMINAZIONE LIGHTING BELEUCHTUNG ILLUMINATION	CAPACITA' CELLA STORAGE CAPACITY ZELLENKAPAZITAET CAPACITE' RESERVE (Lt.)	QUANTITA' GAS GAS QUANTITY GAS MENGE QUANTITE' DE GAS (KG.)	TIPO DI GAS KIND OF GAS GAS-TYP TIPE DE GAZ	HP	Potenza frigorifera Refrigeration power Kalteleistung Puissance frigorifique Watt (-10°C)	Watt assorbiti Watt absorbed Nennleistungsaufnahme Watts absorbés	Assorbimento Ventilatori Fab absorption Luefteraufnahmen Absorption ventilateurs (W)	Watt vaschetta elettr. Electric pan Elektrische Wanne Bac électrique
	VENTILATO - UMLUFT - AIRY - VENTILE - VENTILADA										
	129	DLE7,5CN	/	/	0,120	R290	1/3	571	288+38	1 x 18	270
	150	NLE8,8CN	/	/	0,130	R290	1/3+	690	326+38	1 x 18	270

Modello: BOSTON LINE	Revisione: 00
Codice: BN	

I dati tecnici possono essere soggetti a cambiamenti senza alcun obbligo di preavviso. We reserve the right to change technical features without notice. Technische aenderungen sind ohne voranzeige moeglich. Nous nous reservons le droit de varier sans preavis les details techniques.