

02/2021

Mod: CF-150/S

Production code:



CF-150/S



FEATURES

- Standard with 2 seal bars: 2 x 450mm (front-back),
- Other seal bar configuration available for free: 2x 680mm (left-right)
- Standard double seal (two wires). Optional without extra costs: Cut-off/Wide seal
- Silicon holders easily removable for cleaning and maintenance purposes
- Pump capacity: 63 m³/h Busch vacuum pump
- Pump maintenance and cleaning program
- Machine cycle: 15-40 sec
- Standard Digital control with 10 program memory and Time control
- Comes with insert plates for a faster cycle and product adjustment
- Stainless steel frame
- Aluminium chamber and lid with sight glass

OPTIONS

- 1-2 Cut-off seal
- Bi-active seal
- Soft Air
- Sensor control, Advanced Control System (ACS)
- Liquid control
- Gas flush

ACCESSORIES

- Zebra ZD410 thermal label printer (only in combination with ACS)
- Inclined insert plate (for packing liquids)
- Service kit for standard maintenance

DESCRIPTION

The robust Falcon 2-60 vacuum packaging machine with stainless steel frame is standard equipped with a Busch vacuum pump, an aluminium lid and vacuum chamber and 2 seal bars. This double chamber complies with CE standards.



Diamond Europe s.a./n.v.

92 Chaussée de Vilvorde
92 Vilvoordsesteenweg
1120 Brussels
Belgium

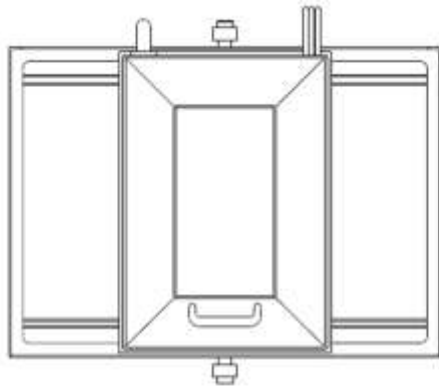
info@diamond-eu.com
Phone: +32 2 420 26 26
Fax: +32 2 420 67 66
www.diamond-europe.com

CF-150/S- SPECS

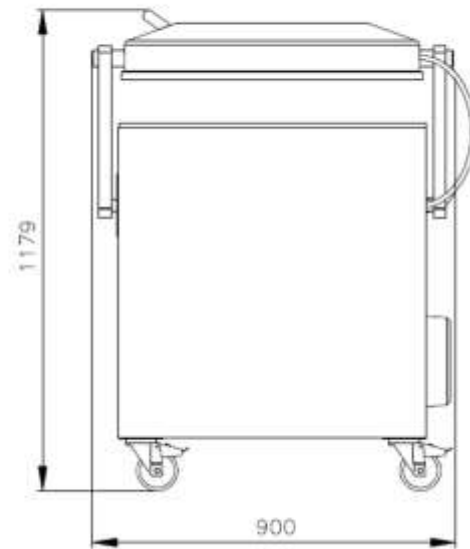
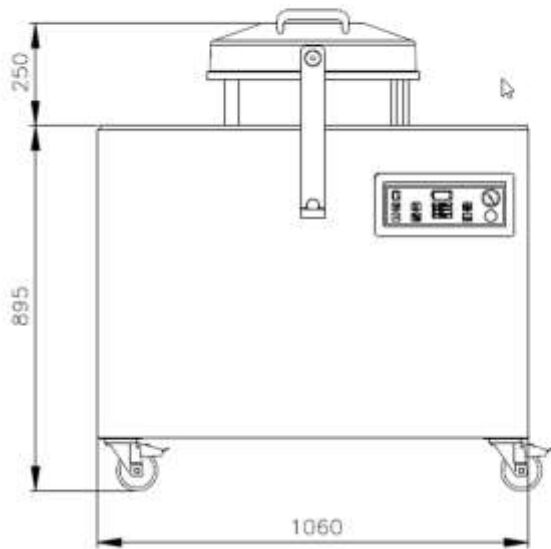
VACUUM PACKAGING MACHINE - SPEC SHEET

DIMENSIONS

In mm



OUTER DIMENSIONS
Falcon 2-60



Model	Dimensions (mm)		Voltage* (Hz)	Pump capacity (m ³ /h)	Power (kW)	Weight (kg)
	Chamber (usable space) L x W x H	Machine L x W x H				
Falcon 2-60	580 x 450 x 235	900 x 1060 x 1179	400V-3-50	63	2,4 - 3,5	236

* Other voltages available



Diamond Europe s.a./n.v.

92 Chaussée de Vilvorde
92 Vilvoordsesteenweg
1120 Brussels
Belgium

info@diamond-eu.com
Phone: +32 2 420 26 26
Fax: +32 2 420 67 66
www.diamond-europe.com