

02/2021

Mod: CF-175T/S

Production code: POLAR 2-75_

CF-175T/S

FEATURES

- Standard with 2 seal bars (front-back): 2 x 620 mm
- Optional without extra costs: 2 seal bars of 840 mm (left-right)
- Standard double seal (two wires). Optional without extra costs: Cut-off or Wide seal (10 mm)
- Silicone holders easily removable for cleaning and maintenance purposes
- Pump capacity: 160 m³/h Busch vacuum pump
- Pump maintenance and cleaning program
- Machine cycle: 15-40 sec
- Soft Air to protect the product and vacuum bag
- Standard Digital control with 10 program memory and Time control
- Flat work plate
- Comes with insert plates for a faster cycle and product adjustment
- Stainless steel exterior
- IP-65 classification

DESCRIPTION

The robust, stainless steel Polar 2-75 vacuum packaging machine is standard equipped with a Busch vacuum pump. This double chamber complies with CE standards.

OPTIONS

- 1-2 Cut-off/Bi-active seal
- Sensor control, Advanced Control System (ACS), Liquid control
- Gas flush (incl. pressed air connection)
- Preparation for external pump
- Heating element for vacuum valve

ACCESSORIES

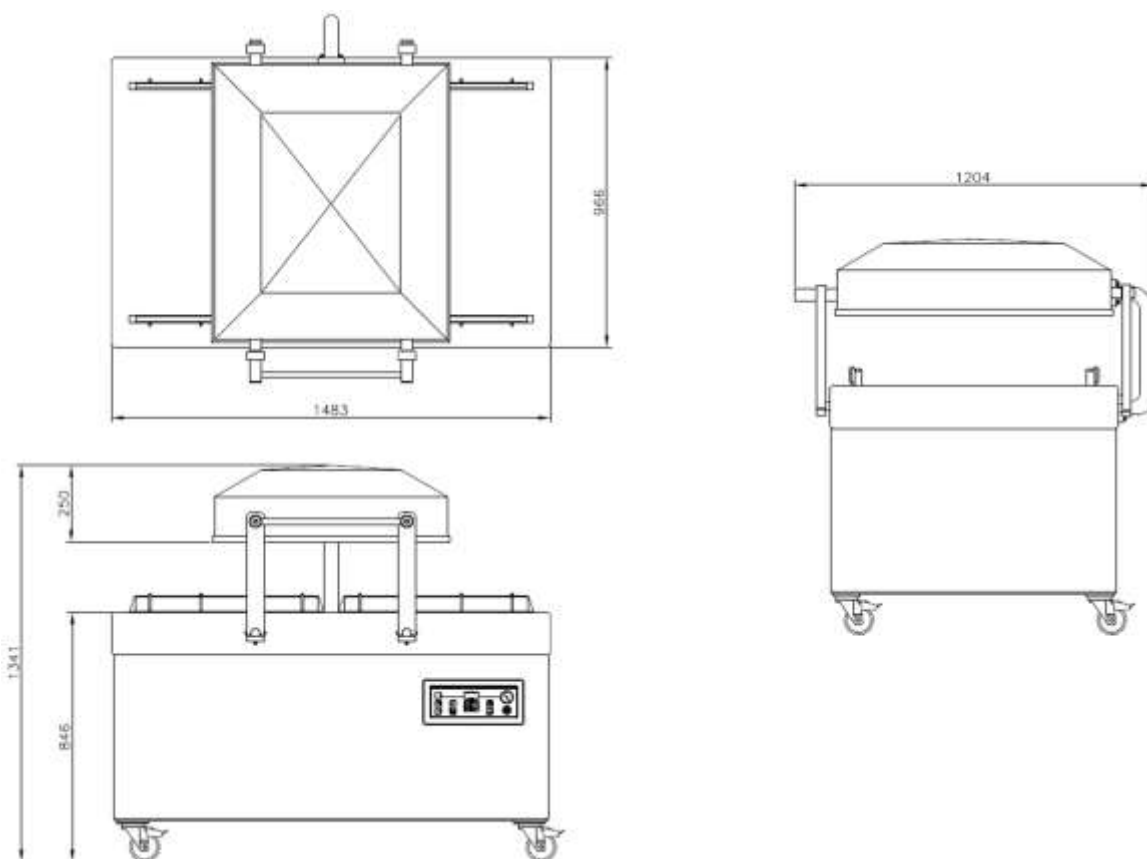
- Zebra ZD410 thermal label printer (only in combination with ACS)
- Inclined insert plate
- Service kit for standard maintenance

CF-175T/S- SPECS

VACUUM PACKAGING MACHINE - SPEC SHEET

DIMENSIONS

In mm



Model	Dimensions (mm)		Voltage* (Hz)	Pump capacity (m ³ /h)	Power (kW)	Weight (kg)
	Chamber (usable space) L x W x H	Machine L x W x H				
Polar 2-75	750 x 620 x 250	1204 x 1483 x 1341	400V-3-50	160	5,5 - 9,0	537

* Other voltages available



Diamond Europe s.a./n.v.

92 Chaussée de Vilvorde
92 Vilvoordsesteenweg
1120 Brussels
Belgium

info@diamond-eu.com
Phone: +32 2 420 26 26
Fax: +32 2 420 67 66
www.diamond-europe.com