

02/2021

# **Mod: CF-165T/S**

**Production code POLAR 2-50\_:**

**CF-165T/S**

**FEATURES**

- Standard with 2 seal bars (front-back): 2 x 620 mm
- Standard double seal (two wires). Optional without extra costs: Cut-off or Wide seal (10 mm)
- Silicone holders easily removable for cleaning and maintenance purposes
- Pump capacity: 100 m<sup>3</sup>/h Busch vacuum pump
- Pump maintenance and cleaning program
- Machine cycle: 15-40 sec
- Soft Air to protect the product and vacuum bag
- Standard Digital control with 10 program memory and Time control
- Flat work plate
- Comes with insert plates for a faster cycle and product adjustment
- Stainless steel exterior
- IP-65 classification

**OPTIONS**

- 1-2 Cut-off/Bi-active seal
- Sensor control, Advanced Control System (ACS), Liquid control
- Gas flush (incl. pressed air connection)
- Preparation for external pump
- Heating element for vacuum valve

**ACCESSORIES**

- Zebra ZD410 thermal label printer (only in combination with ACS)
- Inclined insert plate
- Service kit for standard maintenance

**DESCRIPTION**

The robust, stainless steel Polar 2-50 vacuum packaging machine is standard equipped with a Busch vacuum pump. This double chamber complies with CE standards.

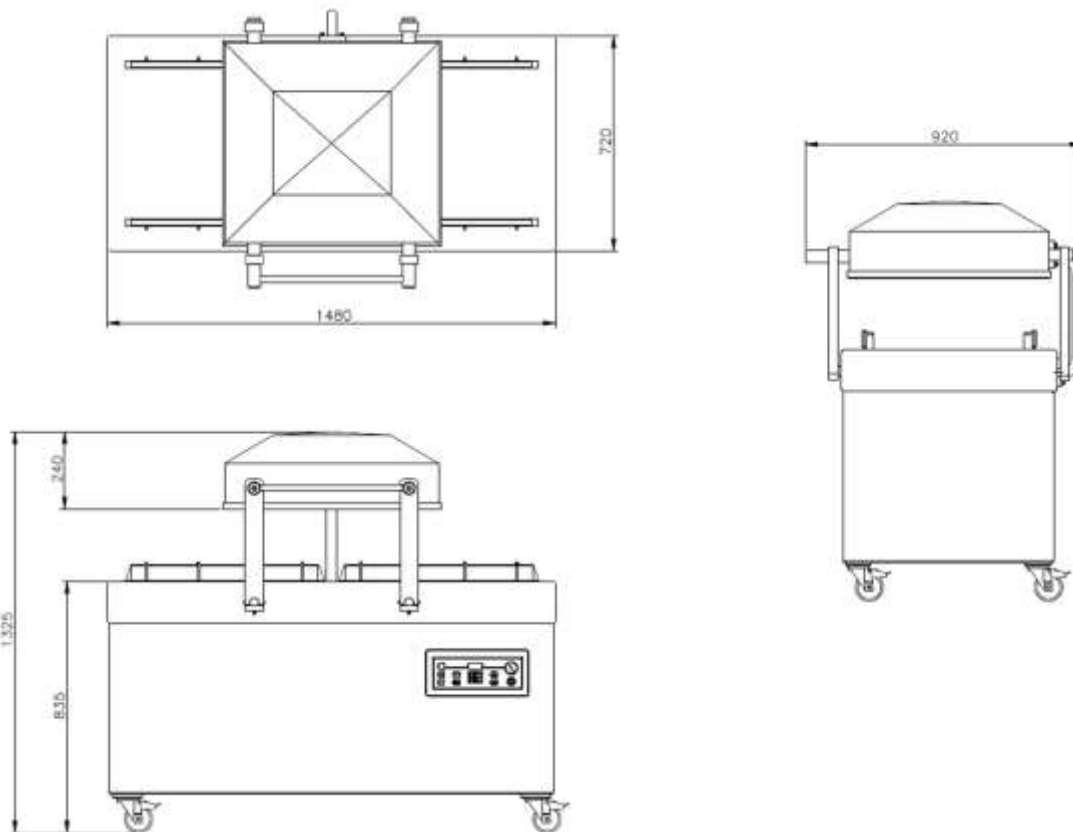
Diamond Europe s.a./n.v.

# CF-165T/S- SPECS

# VACUUM PACKAGING MACHINE - SPEC SHEET

## DIMENSIONS

In mm



Model	Dimensions (mm)		Voltage* (Hz)	Pump capacity (m <sup>3</sup> /h)	Power (kW)	Weight (kg)
	Chamber (usable space) L x W x H	Machine L x W x H				
Polar 2-50	500 x 620 x 240	920 x 1480 x 1325	400V-3-50	100	3,5- 5,3	345

\* Other voltages available



Diamond Europe s.a./n.v.

92 Chaussée de Vilvorde  
92 Vilvoordsesteenweg  
1120 Brussels  
Belgium

info@diamond-eu.com  
Phone: +32 2 420 26 26  
Fax: +32 2 420 67 66  
www.diamond-europe.com