

05/2015

# Mod: MCR-120P/N

Production code: 40807003F



**Diamond**  
catering equipment

**Meat Mixers, model IP 120 XP B/a:**



Modern design and strong AISI 304 stainless steel construction Tilting tank with automatic locking system and safety lock Stainless steel swivel wheels with lock  
 Two mixing arms system  
 Removable AISI 304 stainless steel mixing arms (no tools required)  
 Total protection of gear box/control panel  
 Oil-bath gear box, ground and tempered helical gears  
 Double seal on tank and gear box  
 IP 54 control:  
 -forward and reverse  
 -auto-off feature  
 -auto-function with reverse  
 Stainless steel cover with safety microswitch  
 Minimum loading required: 40% max capacity  
 Stainless steel IP 67 controls  
 Perfect for hard mix and salad  
 Optional:  
 Speed control with inverter system.

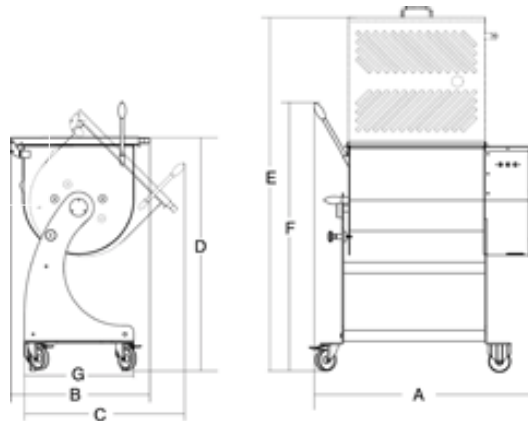


Tank overturn



Removable mixing arms

**Data sheet**



**Technical data**

Model	IP 120 XP B/A
Power	watt 735 - Hp 1 (x2)
Power source	230-400V/50Hz
Tank dimensions	mm 660x550
Capacity	lt 163 - kg 120
A	mm 1092
B	mm 700
C	mm 855
D	mm 1030
E	mm 1717
F	mm 1209
G	mm 620
Net weight	kg 138
Shipping	mm 750x1450x1300
Gross weight	kg 167
HS-CODE	84385000